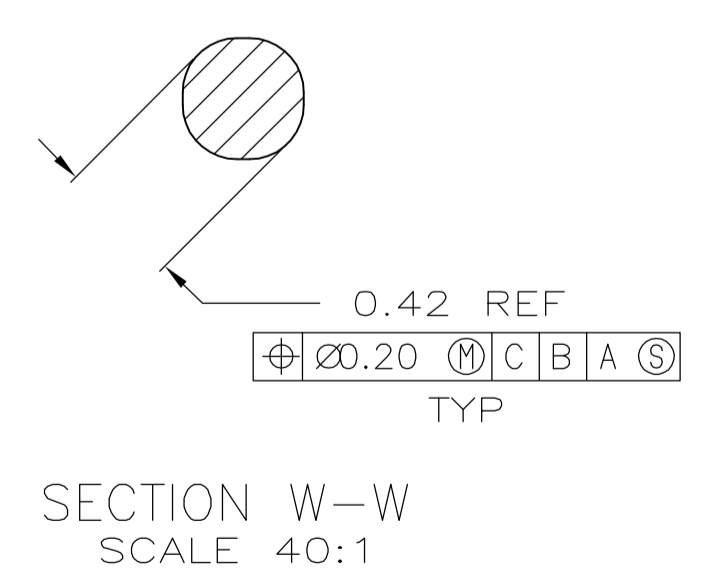
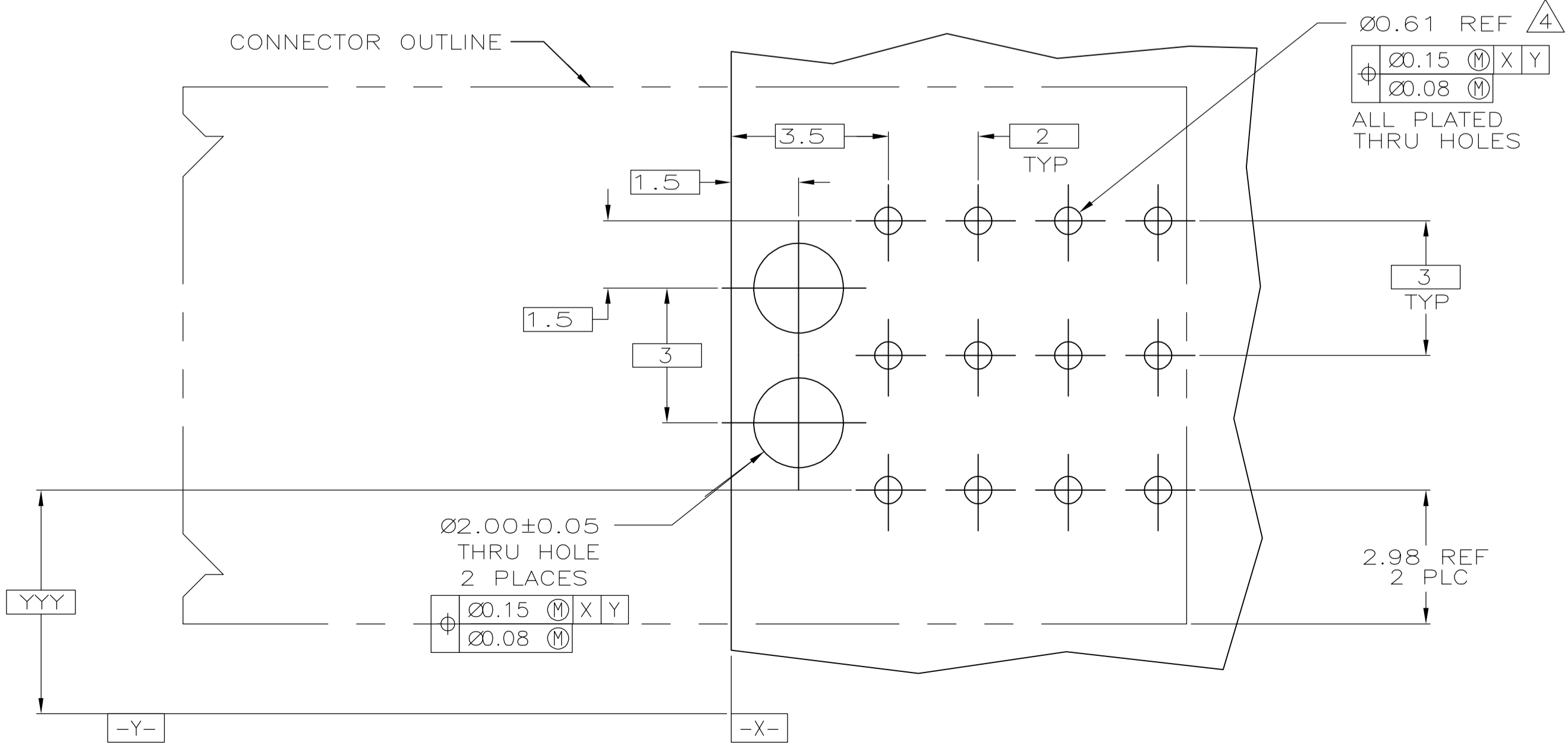
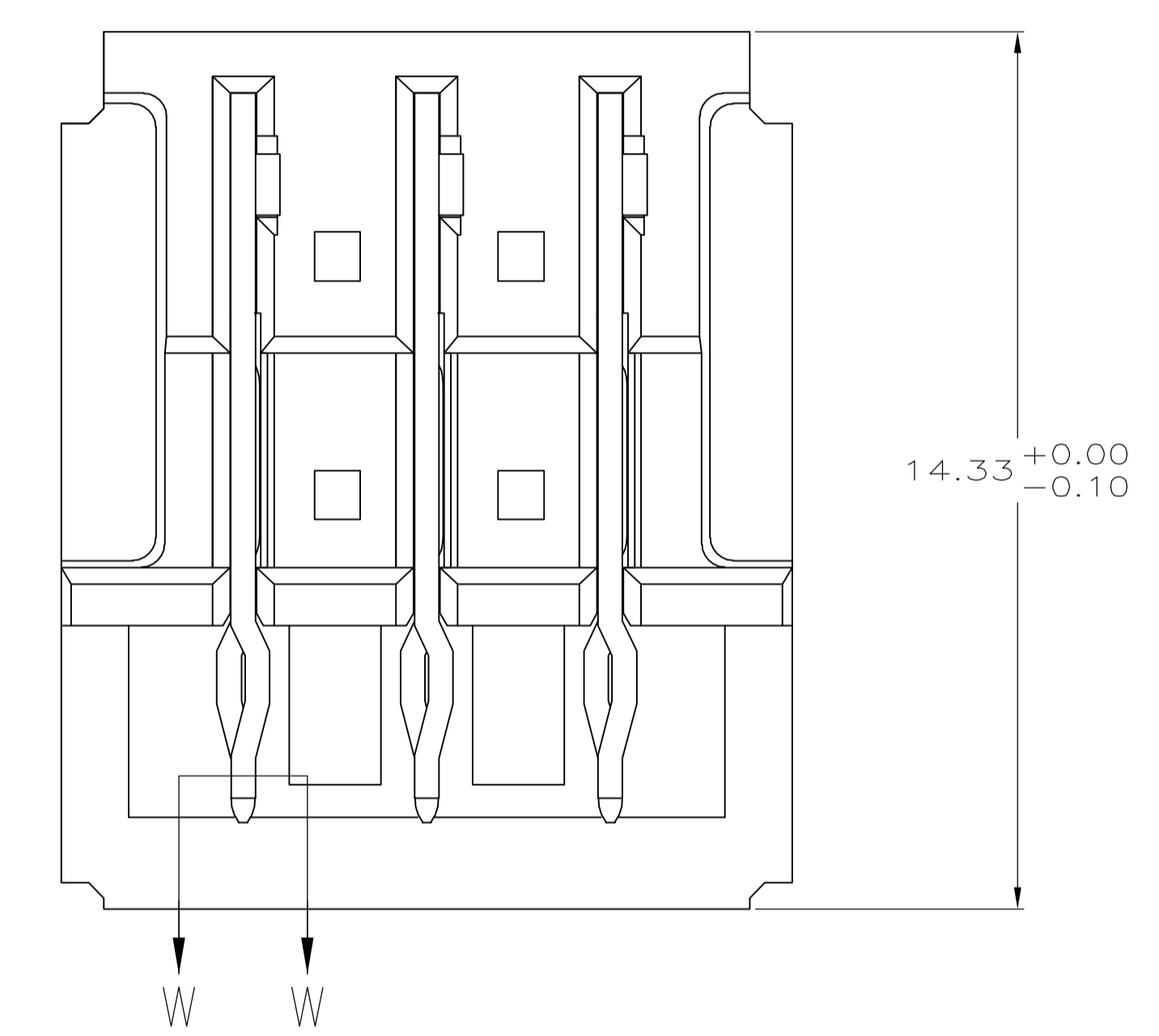
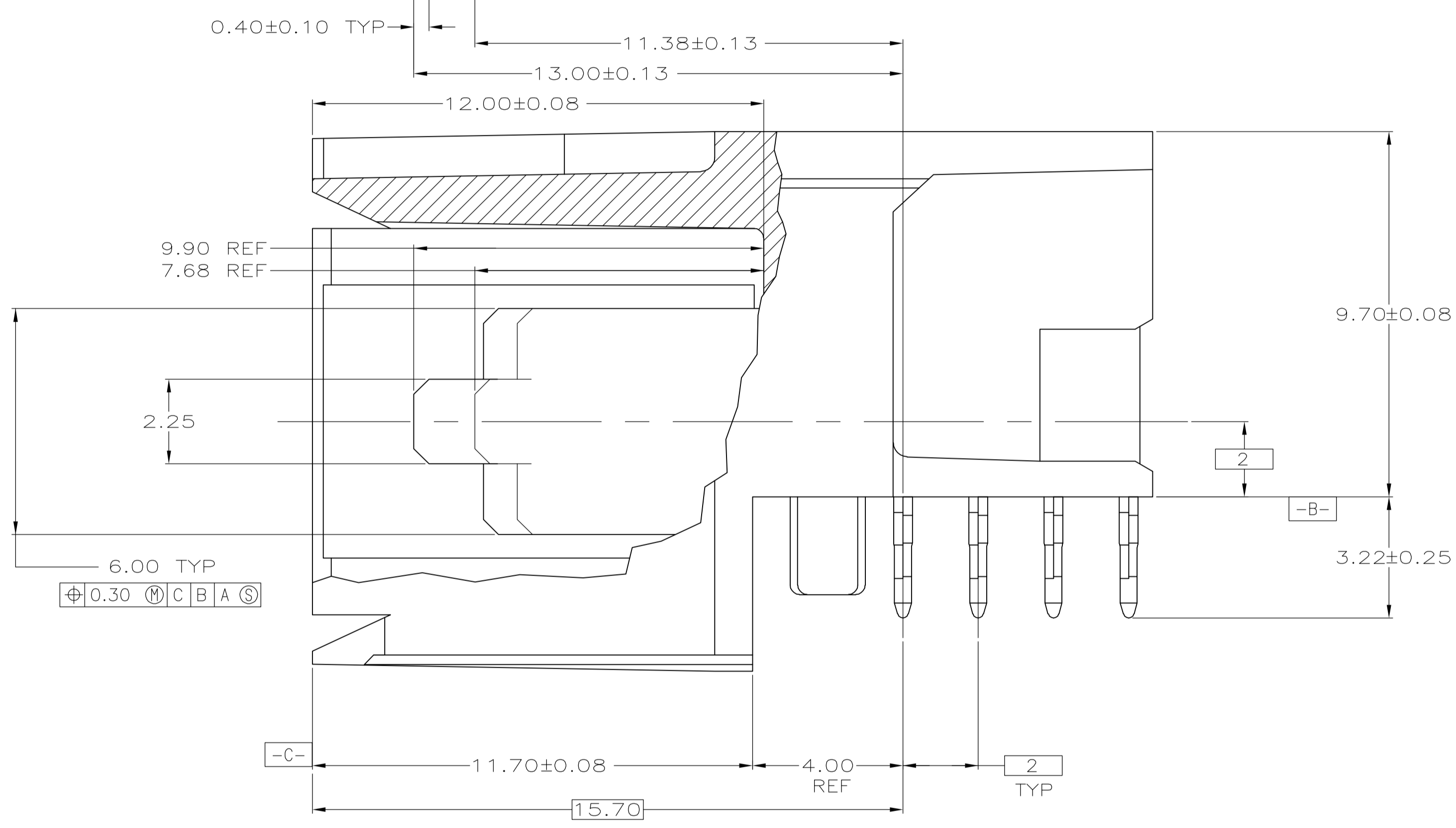
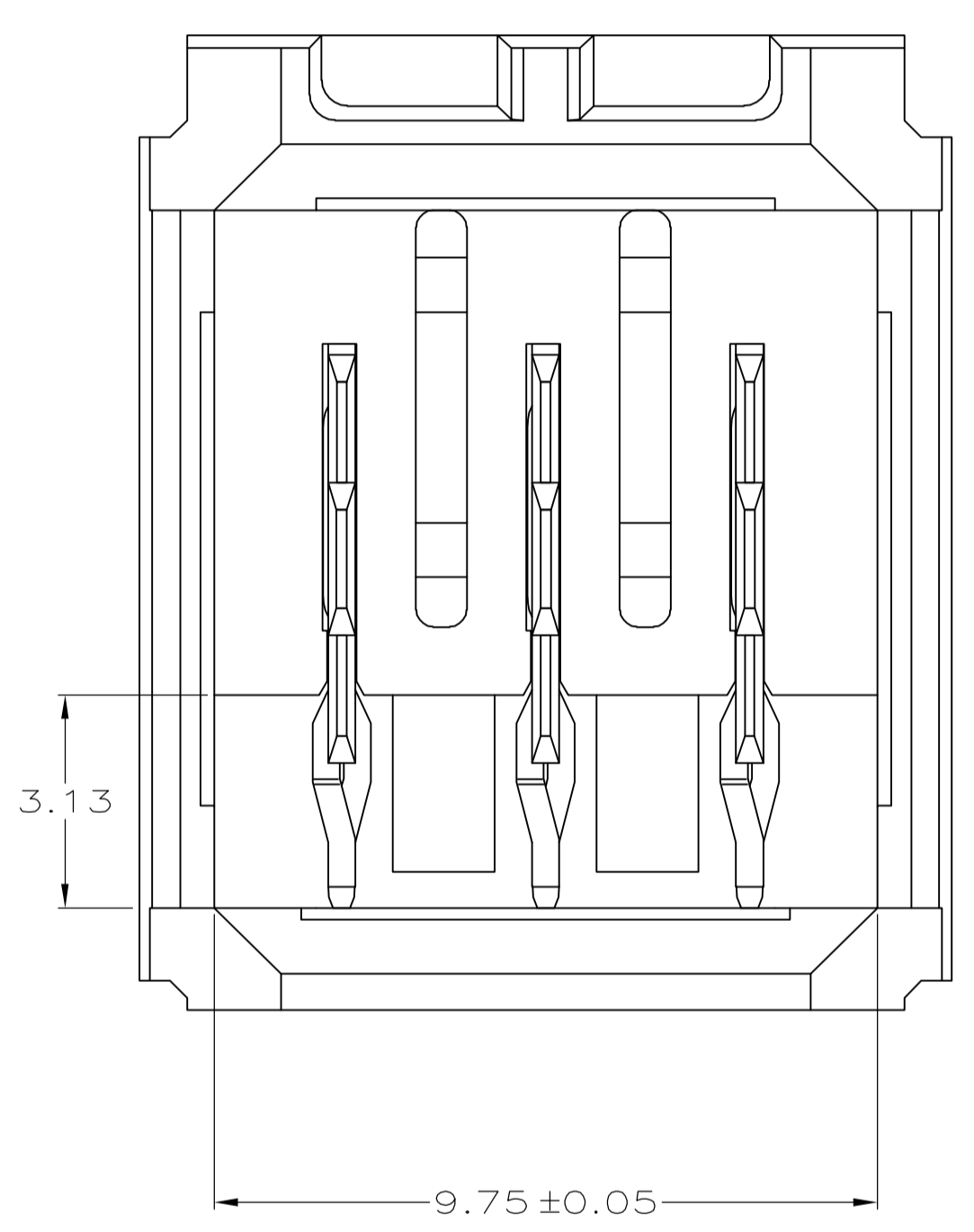


- 1 MATERIAL: HOUSING: POLYESTER. COLOR: GRAY. UL 94V-0. CONTACT: PHOSPHOR BRONZE.
- 2 FINISH: CONTACT MATING AREA: 1.27 $\mu$ m MIN GOLD OR 0.08 $\mu$ m MIN GOLD OVER 0.76 $\mu$ m MIN PALLADIUM-NICKEL. ACTION PIN AREA: 0.5 $\mu$ m MIN TIN LEAD PLATE, ALL OVER 1.27 $\mu$ m MIN NICKEL UNDERPLATE.
- 3 FINISH: CONTACT LUBRICATION WITH BELLCORE APPROVED LUBRICANT. TECHNICAL REFERENCE: TR-NWT-001217 ISSUE 1, SEPT 1992.
- 4 REFERENCE APPLICATION SPEC 114-1103 FOR RECOMMENDED PLATED THRU HOLE DIAMETER AND PLATING THICKNESSES.
- 5. CURRENT RATING 10A/CONTACT PER PRODUCT SPEC 108-1651.



223965-1  
PART NUMBER

THIS DRAWING IS A CONTROLLED DOCUMENT.		DWG: R. BUCHHEISTER 08/AUG/96		Tyco Electronics Corporation Harrisburg, PA 17105-3608	
DIMENSIONS: mm		CHK: R. RELICKER 08/AUG/96		NAME: R. RELICKER 08/AUG/96	ASSEMBLY, RIGHT ANGLE HEADER, W/ RETENTION PEGS, SEQUENCED, UNIVERSAL POWER MODULE
TOLERANCES UNLESS OTHERWISE SPECIFIED:		PRODUCT SPEC		SIZE: A1	DRAWING NO: 00779
0 PLC $\pm$ -		APPLICATION SPEC		SCALE: 10:1	SHEET: 1 of 1
1 PLC $\pm$ -		MATERIAL		REV: C1	RESTRICTED TO: -
2 PLC $\pm$ 0.13		FINISH		CUSTOMER DRAWING	
3 PLC $\pm$ -		REVISIONS		SCALE: 10:1 SHEET: 1 of 1 REV: C1	
4 PLC $\pm$ -		MATERIAL		SCALE: 10:1 SHEET: 1 of 1 REV: C1	
ANGLES $\pm$ -		FINISH		SCALE: 10:1 SHEET: 1 of 1 REV: C1	